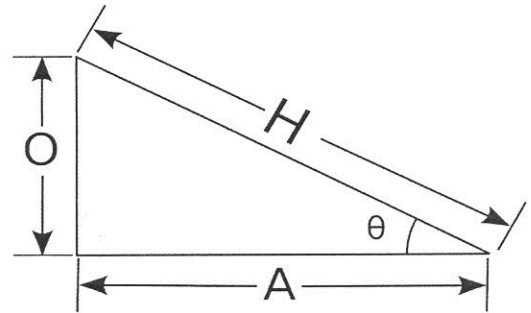


Kinematics Problems – Set 1

Consider the right triangle in the picture.



- a. Assume that you've been given values for H and θ . Write expressions for O and A in terms of H and θ .

Use basic trig IDs:

$$\sin \theta = \frac{O}{H} \Rightarrow O = H \sin \theta$$

$$\cos \theta = \frac{A}{H} \Rightarrow A = H \cos \theta$$

- b. Assume that you've been given values for O and A. Write expressions for H and θ in terms of O and A.

Pythagorean Theorem: $A^2 + O^2 = H^2 \Rightarrow H = \sqrt{A^2 + O^2}$

Definition of Tangent: $\tan \theta = \frac{O}{A} \Rightarrow \theta = \tan^{-1}\left(\frac{O}{A}\right)$

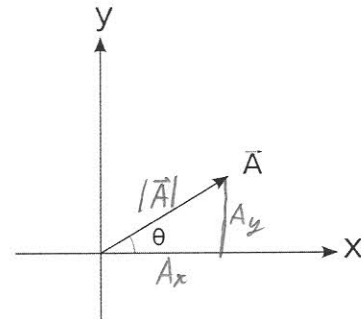
Consider the vector, \vec{A} , in the picture.

- c. Assume you know θ and $|\vec{A}|$. Find an expression for A_x and A_y .

Same as part a:

$$A_x = |\vec{A}| \cos \theta$$

$$A_y = |\vec{A}| \sin \theta$$



- d. Assume that you know A_x and A_y . Find an expression for θ and the magnitude of \vec{A} .

Same as part b:

$$|\vec{A}| = \sqrt{A_x^2 + A_y^2}, \quad \theta = \tan^{-1}\left(\frac{A_y}{A_x}\right)$$

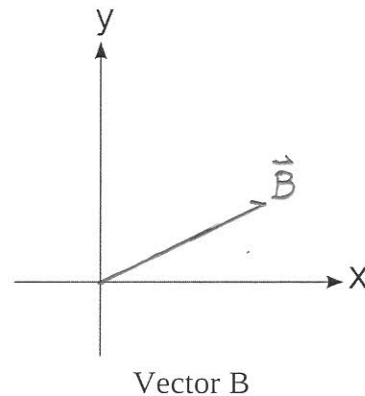
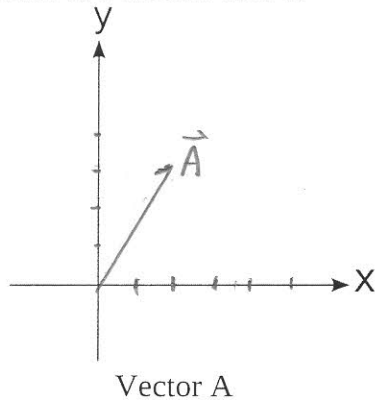
Kinematics Problems – Set 1

Consider the two vectors:

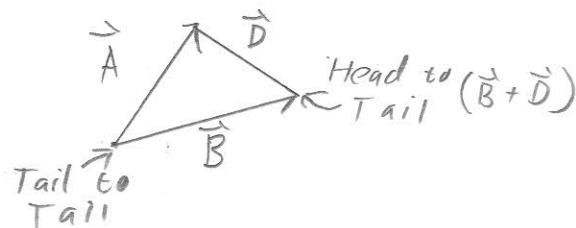
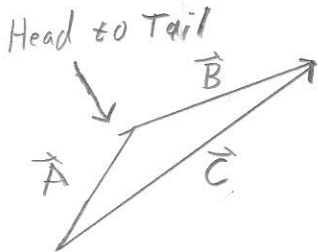
$$\vec{A} = 2\hat{i} + 3\hat{j}$$

$$|\vec{B}| = 5, \theta_B = 30^\circ$$

a. Sketch the two vectors below:



b. Sketch the vector sums $\vec{A} + \vec{B} = \vec{C}$ and $\vec{A} - \vec{B} = \vec{D} \Rightarrow \text{or } \vec{B} + \vec{D} = \vec{A}$



c. Solve the vector equations in part b. Write vectors \vec{C} and \vec{D} in unit vector notation.

convert \vec{B} to B_x and B_y first: $B_x = |\vec{B}| \cos \theta_B$, $B_y = |\vec{B}| \sin \theta_B$

$$B_x = 5 \cos 30 = 4.3, \quad B_y = 5 \sin 30 = 2.5$$

$$C_x = A_x + B_x \Rightarrow C_x = 2 + 4.3 \Rightarrow C_x = 6.3$$

$$C_y = A_y + B_y \Rightarrow C_y = 3 + 2.5 \Rightarrow C_y = 5.5$$

$$\Rightarrow \boxed{\vec{C} = 6.3\hat{x} + 5.5\hat{y}}$$

$$D_x = A_x - B_x \Rightarrow D_x = 2 - 4.3 \Rightarrow D_x = -2.3$$

$$D_y = A_y - B_y \Rightarrow D_y = 3 - 2.5 \Rightarrow D_y = 0.5$$

$$\Rightarrow \boxed{\vec{D} = -2.3\hat{x} + 0.5\hat{y}}$$

Kinematics Problems – Set 1

3

Consider 3 vectors. Vector **A** is given by $4.00\mathbf{i} + A_y\mathbf{j}$, vector **B** has a magnitude of 6.00 and is pointing at an angle of 35.0° with respect to the x axis, and vector **C** is given by $C_x\mathbf{i} + 7.00\mathbf{j}$.

- Assuming that $\mathbf{A} + \mathbf{B} = \mathbf{C}$, find the missing components A_y and C_x .
- Find the magnitude of **C**?
- Find the angle of **C** makes with respect to the x – axis?

$$a) A_x + B_x = C_x$$

$$4.0 + 6 \cdot \cos(35) = C_x$$

$$\boxed{C_x = 8.9}$$

$$A_y + B_y = C_y$$

$$A_y + 6 \cdot \sin(35) = 7.0$$

$$\boxed{A_y = 3.56}$$

$$b) \boxed{|\vec{C}| = (8.9^2 + 7.0^2)^{1/2} = 11.3}$$

$$c) \theta = \tan^{-1}\left(\frac{7}{8.9}\right) = 38^\circ$$

Vector Problems

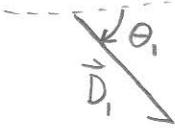
A hiker begins a trip by first walking 25 km southeast from her base camp. On the second day, she walks 40 km in a direction 60° north of east.



- (a) Sketch the hiker's displacement vector for day 1, \vec{D}_1 , and write the components in unit vector notation. (assume East is \hat{i} and North is \hat{j})

$1\hat{j}$
→ x

$D_1 = 25 \text{ km}$
 $\theta_1 = -45^\circ$

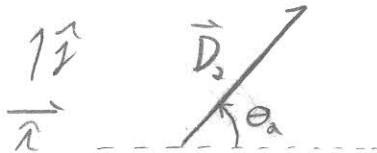


$$\vec{D}_1 = D_1 \cos \theta_1 \hat{i} + D_1 \sin \theta_1 \hat{j}$$

$$= 25 \cos(-45) \hat{i} + 25 \sin(-45) \hat{j}$$

$$\boxed{\vec{D}_1 = (18\hat{i} - 18\hat{j}) \text{ km}}$$

- (b) Sketch the hiker's displacement vector for day 2, \vec{D}_2 , and write the components in unit vector notation.



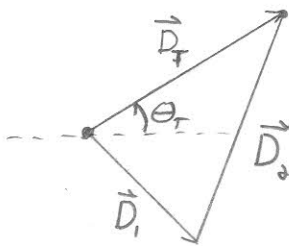
$D_2 = 40 \text{ km}, \theta_2 = 60^\circ$

$$\vec{D}_2 = D_2 \cos \theta_2 \hat{i} + D_2 \sin \theta_2 \hat{j}$$

$$\vec{D}_2 = 40 \cos(60) \hat{i} + 40 \sin(60) \hat{j}$$

$$\vec{D}_2 = 20\hat{i} + 35\hat{j}$$

- (c) Sketch the the vector sum of the total trip and solve the vector equation $\vec{D}_1 + \vec{D}_2 = \vec{D}_T$. Write \vec{D}_T in unit vector notation.



$$\vec{D}_T = \vec{D}_1 + \vec{D}_2 \Rightarrow D_{Tx} = D_{1x} + D_{2x}$$

$$D_{Ty} = D_{1y} + D_{2y}$$

$$D_{Tx} = 18 + 20 \Rightarrow \underline{D_{Tx} = 38}$$

$$D_{Ty} = -18 + 35 \Rightarrow \underline{D_{Ty} = 17}$$

$$\boxed{\vec{D}_T = 38\hat{i} + 17\hat{j}}$$

- (d) Calculate the magnitude and direction of \vec{D}_T .

$$|\vec{D}_T| = (38^2 + 17^2)^{1/2} = \underline{42 \text{ km}}$$

$$\theta_T = \tan^{-1} \left(\frac{17}{38} \right) = \underline{24^\circ}$$

Vector Problems

After moving three times, you find yourself 5.39 m away from where you started and 21.8° below the x-axis. Your first move was 5.00 m at an angle of 53.1°. Your second move was 6.00 m along the x-axis and some unknown distance along the y-axis. Your third move was some unknown distance along the x-axis and -3.00 m along the y-axis.



(a) Write each of the four vectors in unit vector notation.



$$\vec{M}_F = 5.39 \cos(-21.8) \hat{x} + 5.39 \sin(-21.8) \hat{y}$$

$$\vec{M}_F = 5 \hat{x} - 2 \hat{y}$$

$$\vec{M}_1 = 5.0 \cos(53.1) \hat{x} + 5.0 \sin(53.1) \hat{y}$$

$$\vec{M}_1 = 3.0 \hat{x} + 4.0 \hat{y}$$

$$\vec{M}_2 = 6.0 \hat{x} + Y_2 \hat{y}$$

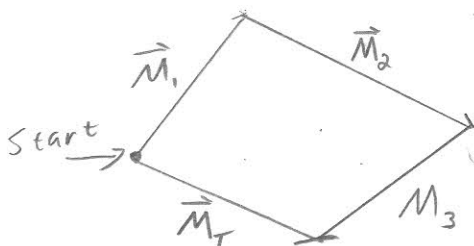
$$\vec{M}_3 = X_3 \hat{x} - 3.0 \hat{y}$$

(b) Calculate the unknown components of your second and third move. Make a sketch of the system.

$$\vec{M}_1 + \vec{M}_2 + \vec{M}_3 = \vec{M}_T$$

$$x: 3.0 \text{ m} + 6.0 \text{ m} + X_3 = 5 \text{ m} \Rightarrow X_3 = -4 \text{ m}$$

$$y: 4.0 \text{ m} + Y_2 - 3.0 \text{ m} = -2 \text{ m} \Rightarrow Y_2 = -3 \text{ m}$$



Vector Problems

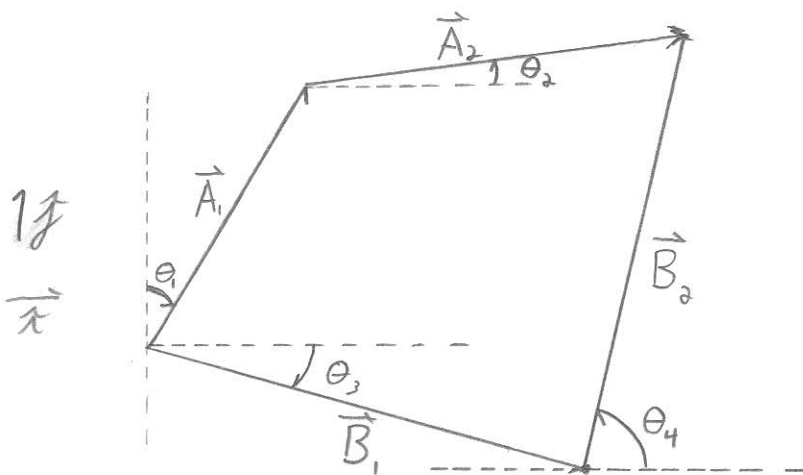
Alice and Ben need to check insect traps at three field sites. Alice will check one, Ben one, and the two will meet at the third.

Alice travels 2.00 km at 20° E of N to the first site and then 2.50 km at 11° N of E to the next.

Ben travels 3.00 km at 15° S of E to his first site.

- a) Write **analytical** expressions (no numbers) for the **x** and **y** components of the displacement required for Ben to meet Alice.
- b) Plug the numbers into your analytical equation and get a numeric answer.
- c) Convert the x and y components into magnitude and direction.

Make a clear sketch of the situation. In the sketch, define your coordinate system and all appropriate variables.



Vector equation

$$\vec{A}_1 + \vec{A}_2 = \vec{B}_1 + \vec{B}_2$$

$$\Rightarrow \vec{B}_2 = \vec{A}_1 + \vec{A}_2 - \vec{B}_1$$

$$\theta_1 = 20^\circ, \theta_2 = 11^\circ, \theta_3 = -15^\circ$$

$$A_1 = 2.0 \text{ km}, A_2 = 2.5 \text{ km}, B_1 = 3.0 \text{ km}$$

①

$$x: B_{2x} = A_{1x} + A_{2x} - B_{1x} \quad y:$$

$$B_{2x} = A_1 \sin \theta_1 + A_2 \cos \theta_2 - B_1 \cos \theta_3$$

$$y: B_{2y} = A_{1y} + A_{2y} - B_{1y}$$

$$B_{2y} = A_1 \cos \theta_1 + A_2 \sin \theta_2 - B_1 \sin \theta_3$$

UST Physics, A. Green and M. Johnston, G. Ruch

continued ↓

Alice and Ben continued

$$\textcircled{b} \quad B_{2x} = 2.0 \sin(20) + 2.5 \cos(11) - 3.0 \cos(-15)$$

$$\boxed{B_{2x} = 0.24 \text{ km}}$$

$$B_{2y} = 2.0 \cos(20) + 2.5 \sin(11) - 3.0 \sin(-15)$$

$$\boxed{B_{2y} = 3.1 \text{ km}}$$

$$\textcircled{c} \quad |\vec{B}_2| = (0.24^2 + 3.1^2)^{1/2}$$

$$\boxed{|\vec{B}_2| = 3.1 \text{ km}}$$

$$\theta_4 = \tan^{-1} \left(\frac{3.1}{0.24} \right)$$

$$\boxed{\theta_4 = 86^\circ}$$